

DELUXE RELAY BREAK OUT KIT

Lisle Deluxe Relay Test Kit Jumpers have tabs for clamping and flat pads to place test leads on. No need to pierce wires or connect multiple jumper wires. Also Includes Test Lead Kit for easily and securely connecting Relay Test Jumpers to a multimeter. Jumper wire may be used between common and open to close the relay circuit for testing and has a test port to easily check voltage. Also provides access for a clamp-on amp meter. Relay Puller Pliers easily remove electrical relays without damage to the relay or electrical box.

Features

ISO Standard Mini 5 Pin Relay Breakout

ISO Standard Mini 4 Pin Relay Breakout

ISO Standard Micro 5 Pin Relay Breakout

ISO Standard Micro 4 Pin Relay Breakout

Ford 5 Pin Relay Breakout

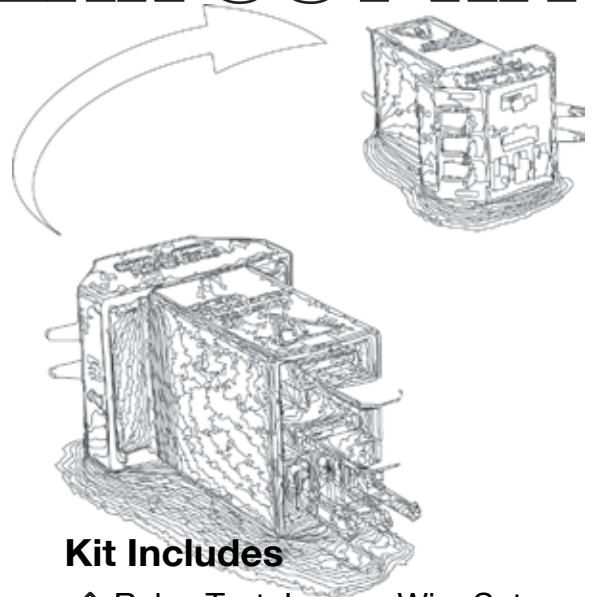
GM 5 Pin Micro Relay Breakout

GM, Kia, International 4 Pin Relay

GM, Ford, Japanese 4 Pin Relay

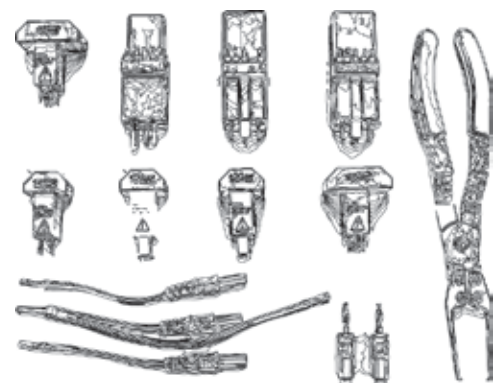
Relay Bridging Cables

Relay Removal Pliers



Kit Includes

- ✓ Relay Test Jumper Wire Set
- ✓ Yellow Relay Test Breakout
- ✓ Red Relay Test Breakout
- ✓ Blue Relay Test Breakout
- ✓ Green Relay Test Breakout
- ✓ Orange Relay Test Breakout
- ✓ White Relay Test Breakout
- ✓ Purple Relay Test Breakout
- ✓ Gray Relay Test Breakout
- ✓ Relay Puller Pliers
- ✓ Switch with 4mm Stackable
- ✓ Banana
- ✓ Storage Case



www.OLCT.co

Order Online

www.olct.co

Email Order

info@olct.co

Phone Order

0466 909 653

Fax Order

07 3041 3232